



Bottom Loading Arm Datasheet

GENERAL

| | | | |
|------------------------|--------------------------------------|---|--------------------------------------|
| Client | | | |
| Contact person | | E-mail | |
| Project | <input type="checkbox"/> Replacement | <input type="checkbox"/> Facility expansion | <input type="checkbox"/> New project |
| Project location | | | |
| Applicable regulations | | | |

BOTTOM LOADING ARM DATA

| | | | |
|--|---|--|--|
| Loading arm required for | <input type="checkbox"/> Road tanker <input type="checkbox"/> Rail wagon <input type="checkbox"/> Container | | |
| Quantity / Model | | | |
| Size of product arm | | | |
| Lay-out | <input type="checkbox"/> Left-hand <input type="checkbox"/> Right-hand | | |
| Support construction | <input type="checkbox"/> Stand post <input type="checkbox"/> Other _____ | | |
| Inlet flange | Product line | (please state type and size): | |
| | Vapour return line | (please state type and size): | |
| Tanker connection | <input type="checkbox"/> Side filling <input type="checkbox"/> Rear end filling <input type="checkbox"/> Both | | |
| | Product line | <input type="checkbox"/> Flange (please state type and size): | |
| | | <input type="checkbox"/> Coupler (please state type and size): | |
| | Vapour return line | <input type="checkbox"/> Flange (please state type and size): | |
| <input type="checkbox"/> Coupler (please state type and size): | | | |
| Piping material | | | |
| Seal material | | | |
| Balancing | <input type="checkbox"/> Spring cylinder <input type="checkbox"/> Counter weight | | |
| Operation (loading and unloading) | <input type="checkbox"/> Loading <input type="checkbox"/> Unloading <input type="checkbox"/> Both | | |
| Mode of operation | <input type="checkbox"/> Manual <input type="checkbox"/> Pneumatic <input type="checkbox"/> Hydraulic | | |
| Vapour return line | <input type="checkbox"/> Yes (Diameter _____ <input type="checkbox"/> Hose <input type="checkbox"/> Hard piped) <input type="checkbox"/> No | | |
| Corrosion protection | <input type="checkbox"/> Primer only | | |
| | <input type="checkbox"/> Three-layer painting system RAL _____ | | |
| | <input type="checkbox"/> Pickling / Passivating of stainless steel | | |
| Heating / Insulation | <input type="checkbox"/> Yes (<input type="checkbox"/> Steam or oil tracing <input type="checkbox"/> Electrical tracing <input type="checkbox"/> Insulation) <input type="checkbox"/> No | | |
| | If yes, Heated / Insulated: <input type="checkbox"/> Pipes <input type="checkbox"/> Elbows <input type="checkbox"/> Swivels | | |

PROCESS PARAMETERS

| | | | |
|-----------------------|--|---------------------|-------------------|
| Product / Medium | | | |
| Operating pressure | bar | Design pressure | bar |
| Operating temperature | min/max °C | Design temperature | min/max °C |
| Density | Kg/m ³ | Viscosity | cp |
| Loading flow rate | m ³ /h | Unloading flow rate | m ³ /h |
| Area classification | <input type="checkbox"/> Safe <input type="checkbox"/> Hazardous: zone _____ | | |

INSPECTION & TESTING REQUIREMENTS

| | | | |
|----------------------------|--|--|--|
| Hydro Test | <input type="checkbox"/> Yes <input type="checkbox"/> No | | |
| Radiography (Welding test) | <input type="checkbox"/> Yes (<input type="checkbox"/> 10% <input type="checkbox"/> 100% <input type="checkbox"/> Other: _____ %) <input type="checkbox"/> No | | |

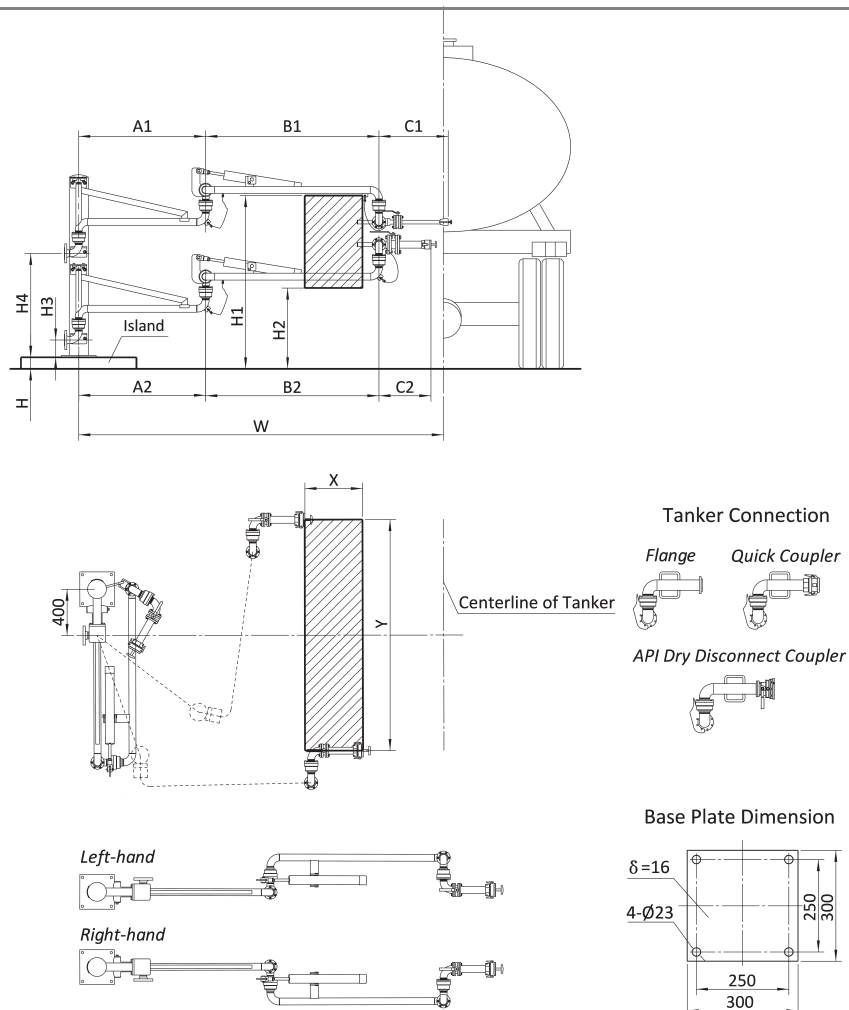
Bottom Loading Arm Datasheet

DIMENSIONS OF INSTALLATION

| | | | |
|----|---|----|---|
| | Island width | mm | |
| | Island length | mm | |
| H | Island elevation | mm | |
| W | Distance between centerline of standpost and centerline of tanker | mm | <input type="checkbox"/> 3500 <input type="checkbox"/> Other _____ |
| H1 | Max. Height of tanker inlet above ground | mm | <input type="checkbox"/> 1500 <input type="checkbox"/> Other _____ |
| H2 | Min. Height of tanker inlet above ground | mm | <input type="checkbox"/> 700 <input type="checkbox"/> Other _____ |
| H3 | Height of inlet flange (product line) above island | mm | <input type="checkbox"/> 150 <input type="checkbox"/> 200 <input type="checkbox"/> Other _____ |
| H4 | Height of inlet flange (vapour return line) above island | mm | <input type="checkbox"/> 900 <input type="checkbox"/> 1100 <input type="checkbox"/> Other _____ |
| A1 | Length of inboard arm (vapour return line) | mm | <input type="checkbox"/> 1100 <input type="checkbox"/> Other _____ |
| B1 | Length of outboard arm (vapour return line) | mm | <input type="checkbox"/> 1500 <input type="checkbox"/> Other _____ |
| C1 | Length of connecting pipe (vapour return line) | mm | <input type="checkbox"/> 600 <input type="checkbox"/> Other _____ |
| A2 | Length of inboard arm (product line) | mm | <input type="checkbox"/> 1100 <input type="checkbox"/> Other _____ |
| B2 | Length of outboard arm (product line) | mm | <input type="checkbox"/> 1500 <input type="checkbox"/> Other _____ |
| C2 | Length of connecting pipe (product line) | mm | <input type="checkbox"/> 450 <input type="checkbox"/> 600 <input type="checkbox"/> Other _____ |
| X | Operating envelope (Max. width) | mm | |
| Y | Operating envelope (Max. length) | mm | |

* Please attach sketch/reference if available

* In case other dimensions are required than our standard, please specify with additional information; we can design other loading arm dimension to meet customer preferred operating envelope.





Bottom Loading Arm Datasheet

SENSORS, CONTROLS & ACCESSORIES

| | | | |
|---|--|------------------------------|-----------------------------|
| 1 | Vacuum breaker | <input type="checkbox"/> Yes | <input type="checkbox"/> No |
| 2 | Quick coupler | <input type="checkbox"/> Yes | <input type="checkbox"/> No |
| 3 | API dry disconnect coupler | <input type="checkbox"/> Yes | <input type="checkbox"/> No |
| 4 | Emergency breakaway coupler | <input type="checkbox"/> Yes | <input type="checkbox"/> No |
| 5 | Ball valve in outer arm or connecting pipe | <input type="checkbox"/> Yes | <input type="checkbox"/> No |
| 6 | Drain and purge connections | <input type="checkbox"/> Yes | <input type="checkbox"/> No |
| 7 | Static grounding equipment | <input type="checkbox"/> Yes | <input type="checkbox"/> No |
| 8 | Rest position signal | <input type="checkbox"/> Yes | <input type="checkbox"/> No |

REMARKS & SPECIAL COMMENTS